

FEATURES - Casablanca *LL-0750

Available colors :

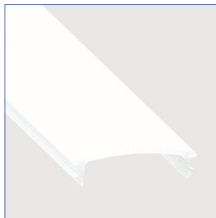


- Clear anodized aluminum finish
- The anodized aluminum 6360 T5 is used for better dissipation of heat

- The components are certified
- These products are manufactured in Canada
- In lengths of 8 feet

DIFFUSER - Accessories

The **OPALINE** diffuser allows to pass **55%** of luminosity, **FROST 85%** and **CLEAR 98%**.

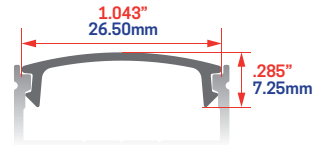


OPALINE
LL-0750-8-OPA

FROST
LL-0750-8-FROST

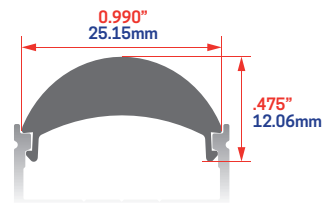
CLEAR
LL-0750-8-CLEAR

Material: ACRYLIC DR



FOCUS
LL-0750-8-FOCUS

Material: ACRYLIC DR



END CAP - Accessories

• Available colors :



END CAP
LL-0750ECMP (WITHOUT HOLE)
LL-0750ECFP (WITH HOLE)

Material: ABS
Press Fit

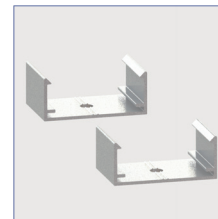


END CAP FOCUS
LL-0750ECMP-FOCUS (WITHOUT HOLE)
LL-0750ECFP-FOCUS (WITH HOLE)

Material: ABS
Press Fit

MOUNTING BRACKET - Accessories

• Available colors :

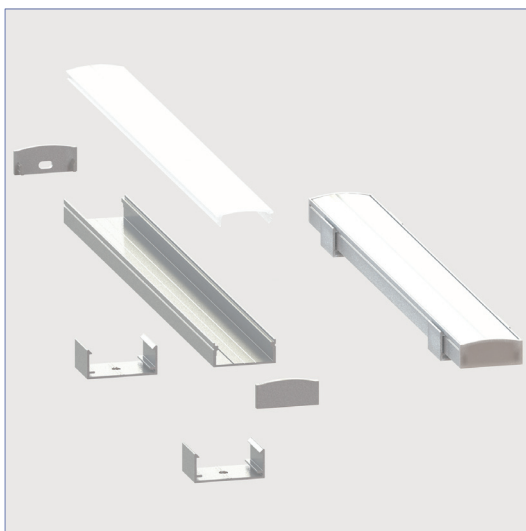


MOUNTING BRACKET
LL-0750BK

Material: ALUMINIUM

MOUNTING APPLICATION - Casablanca *LL-0750

CASABLANCA - LL-0750-8



CASABLANCA - LL-0750-8-FOCUS



CODES**CASABLANCA****EXTRUSION**

ALUMINIUM	- LL-0750-8-AL
BLACK	- LL-0750-8-NR
WHITE	- LL-0750-8-BC

DIFFUSER

OPALINE	- LL-0750-8-OPA
FROST	- LL-0750-8-FROST
CLEAR	- LL-0750-8-CLEAR
FOCUS	- LL-0750-8-FOCUS

END CAP (Press Fit)

STANDARD	- LL-0750ECMP-AL (WITHOUT HOLE)
	- LL-0750ECFP-AL (WITH HOLE)
	- LL-0750ECMP-NR (WITHOUT HOLE)
	- LL-0750ECFP-NR (WITH HOLE)
	- LL-0750ECMP-BC (WITHOUT HOLE)
	- LL-0750ECFP-BC (WITH HOLE)
FOCUS	- LL-0750ECMP-FOCUS-AL (WITHOUT HOLE)
	- LL-0750ECFP-FOCUS-AL (WITH HOLE)
	- LL-0750ECMP-FOCUS-NR (WITHOUT HOLE)
	- LL-0750ECFP-FOCUS-NR (WITH HOLE)
	- LL-0750ECMP-FOCUS-BC (WITHOUT HOLE)
	- LL-0750ECFP-FOCUS-BC (WITH HOLE)

MOUNTING BRACKET

ALUMINIUM	- LL-0750BK-AL
	- LL-0750BK-NR
	- LL-0750BK-BC