

FEATURES - Katmandu *LL-0747

- Available colors :

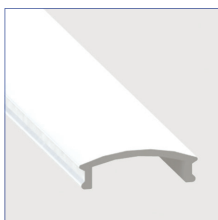


- Clear anodized aluminum finish
- The anodized aluminum 6360 T5 is used for better dissipation of heat

- The components are certified
- These products are manufactured in Canada
- In lengths of 8 feet

DIFFUSER - Accessories

The **OPALINE** diffuser allows to pass **55%** of luminosity, **FROST 85%** and **CLEAR 98%**

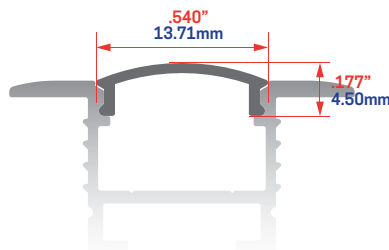


OPALINE
LL-0747-8-OPA

FROST
LL-0747-8-FROST

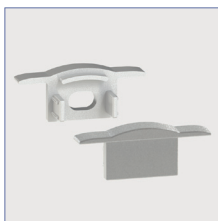
CLEAR
LL-0747-8-CLEAR

Material: ACRYLIC DR



END CAP - Accessories

- Available colors :

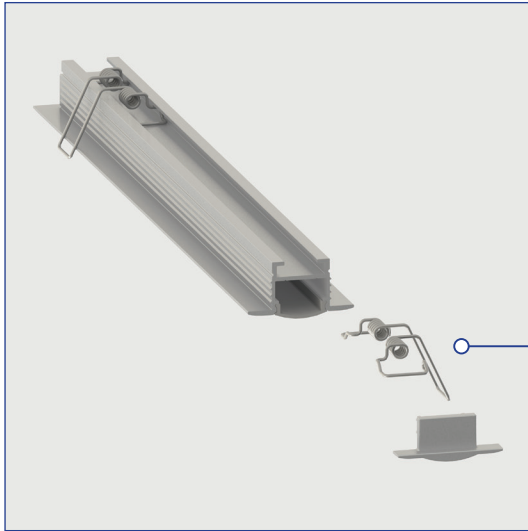


END CAP
LL-0747ECMP (WITHOUT HOLE)
LL-0747ECFP (WITH HOLE)

Material: ABS

Press Fit

MOUNTING BRACKET - Accessories



MOUNTING BRACKET
LL-0747BK



CODES

KATMANDU

EXTRUSION

- ALUMINIUM** - LL-0747-8-AL
- BLACK** - LL-0747-8-NR
- WHITE** - LL-0747-8-BC

DIFFUSER

- OPALINE** - LL-0747-8-OPA
- FROST** - LL-0747-8-FROST
- CLEAR** - LL-0747-8-CLEAR

END CAP (Press Fit)

- PLASTIC** - LL-0747ECMP (WITHOUT HOLE)
- LL-0747ECFP (WITH HOLE)

MOUNTING BRACKET (Butterfly)

- LL-0747BK