

FEATURES - Madrid *LL-0125

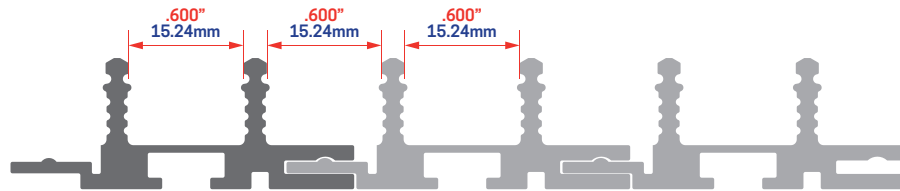
- Available in:



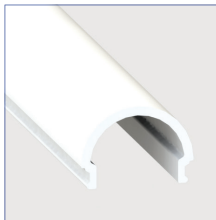
MILL-MF

- Finish & MILL finish

- The components are certified
- These products are manufactured in Canada
- In lengths of 8 feet

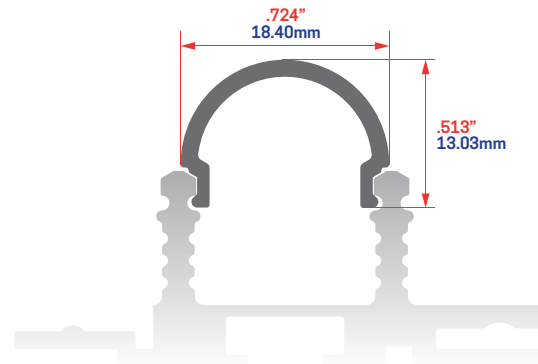


DIFFUSER - Accessories



NEON
LL-0125-8-NEON

Material: ACRYLIC DR



MOUNTING BRACKETS - Accessories

Available in:

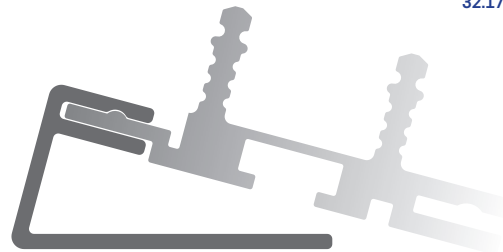
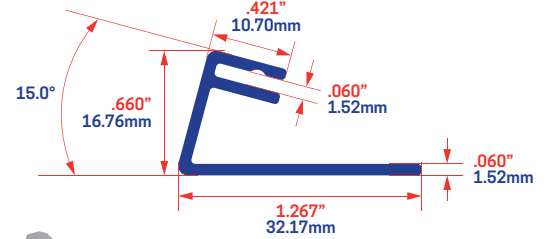


TRANSPARENT



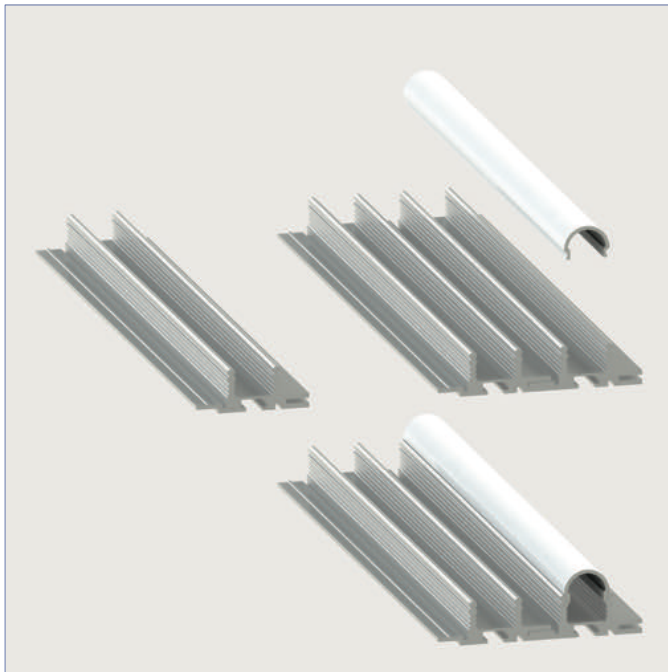
ANGLE MOUNTING BRACKET (15°)
LL-0125BK

Material: PLASTIC POLYCARBONATE



MOUNTING APPLICATION - Madrid *LL-0125

Madrid - LL-0125-8



CODES

MADRID

EXTRUSION

MILL

- LL-0125-8-MF

DIFFUSER

NEON

- LL-0125-8-NEON

MOUNTING BRACKET

PLASTIC POLYCARBONATE

- LL-0125BK