

FEATURES - Melbourne*LL-1751

- Available in:



ALUMINIUM -AL

- Clear anodized aluminum finish
- The anodized aluminum 6360 T5 is used for better dissipation of heat

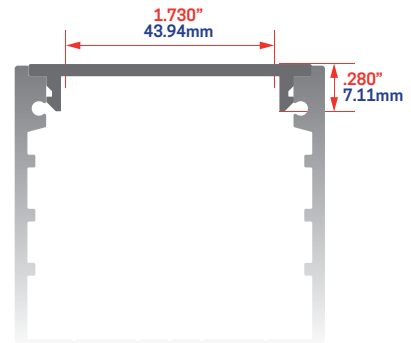
- The components are certified
- These products are manufactured in Canada
- In lengths of 8 feet

DIFFUSER - Accessories

The **OPALINE** diffuser allows to pass **55%** of luminosity, **FROST 85%**, **CLEAR 98%** and **POLYCARBONATE 75%**



POLYCARBONATE
LL-1751-8-PC



END CAP - Accessories

- Available in:



ALUMINIUM -AL



END CAP

LL-1751ECMP (WITHOUT HOLE) fixed with screws

PLATE - Accessories



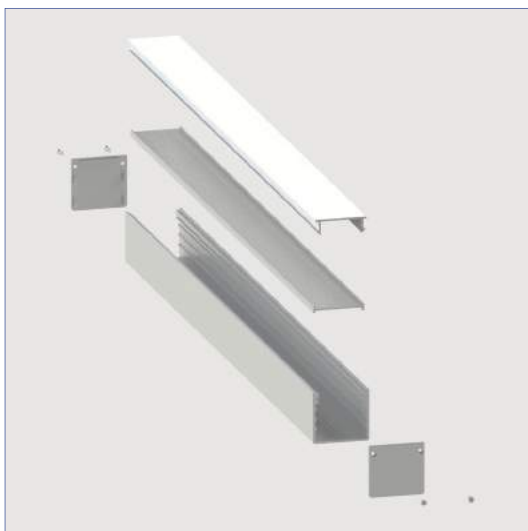
PLATE

LL-1751-PLATE



MOUNTING APPLICATION - Melbourne *LL-1751

MELBOURNE - LL-1751-8



CODES

MELBOURNE

EXTRUSION

ALUMINIUM

-LL-1751-8-AL

DIFFUSER

POLYCARBONATE

-LL-1751-8-PC

PLATE

PLATE

-LL-1751-PLATE