

FEATURES - Miami *LL-0710

- Available in:



ALUMINIUM -AL

- Clear anodized aluminum finish
- The anodized aluminum 6360 T5 is used for better dissipation of heat

- The components are certified
- These products are manufactured in Canada
- In lengths of 8 feet

DIFFUSER - Accessories

The **OPALINE** diffuser allows to pass **55%** of luminosity, **FROST 85%** and **CLEAR 98%**.

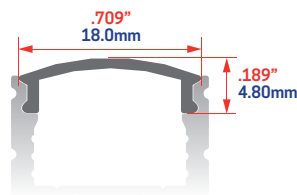


OPALINE
LL-0710-8-OPA

FROST
LL-0710-8-FROST

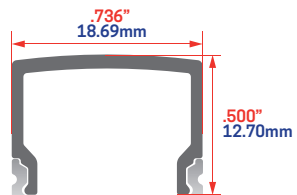
CLEAR
LL-0710-8-CLEAR

Material : ACRYLIC DR



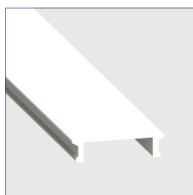
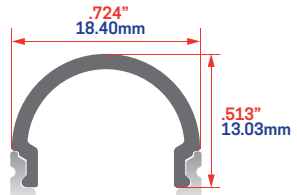
SQUARE
LL-0710-8-SQR

Material : ACRYLIC DR



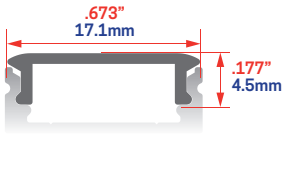
NEON
LL-0710-8-NEON

Material : ACRYLIC DR



FLAT
LL-0710-8-FLAT

Material : ACRYLIC DR



END CAP - Accessories

Available in:



END CAP
LL-0710ECMP (WITHOUT HOLE)
LL-0710ECFP (WITH HOLE)

Material: ABS
Press Fit



END CAP SQUARE
LL-0710ECMP-SQR (WITHOUT HOLE)
LL-0710ECFP-SQR (WITH HOLE)

Material: ABS
Press Fit



END CAP NEON 15mm
LL-0710ECMP-NEON (WITHOUT HOLE)
LL-0710ECFP-NEON (WITH HOLE)

Material: ABS
Press Fit

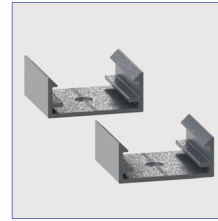


END CAP FLAT
LL-0710ECMP-FLAT (WITHOUT HOLE)
LL-0710ECFP-FLAT (WITH HOLE)

Material: ABS
Press Fit

MOUNTING BRACKET - Accessories

- Available in:



MOUNTING BRACKET
LL-0710BK

Material: ALUMINIUM

MOUNTING APPLICATION - Miami*LL-0710

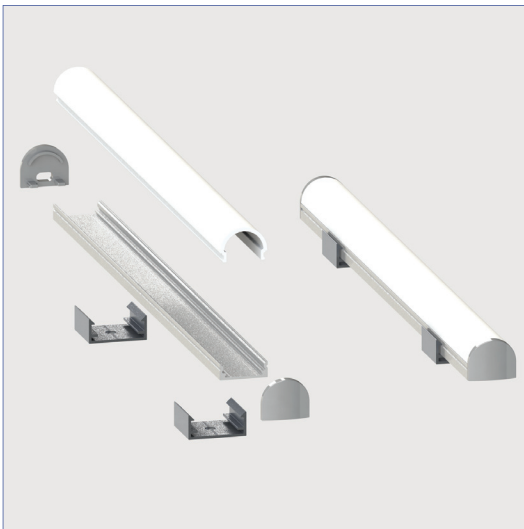
MIAMI - LL-0710-8



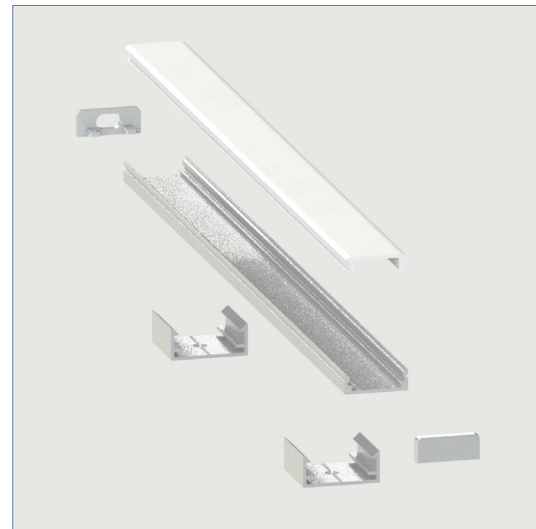
MIAMI - LL-0710-8-SQR



MIAMI - LL-0710-8-NEON



MIAMI - LL-0710-8-FLAT



CODES

MIAMI

EXTRUSION

ALUMINIUM - LL-0710-8-AL

DIFFUSER

OPALINE - LL-0710-8-OPA
FROST - LL-0710-8-FROST
CLEAR - LL-0710-8-CLEAR
SQUARE - LL-0710-8-SQR
NEON - LL-0710-8-NEON

FLAT

FLAT - LL-0710-8-FLAT-FROST

END CAP (Press Fit)

STANDARD - LL-0710ECMP (WITHOUT HOLE)
- LL-0710ECFP (WITH HOLE)

SQUARE - LL-0710ECMP-SQR (WITHOUT HOLE)
- LL-0710ECFP-SQR (WITH HOLE)

NEON - LL-0710ECMP-NEON (WITHOUT HOLE)
- LL-0710ECFP-NEON (WITH HOLE)

FLAT

FLAT - LL-0710ECMP-FLAT (WITHOUT HOLE)
- LL-0710ECPP-FLAT (WITH HOLE)

MOUNTING BRACKET

ALUMINIUM - LL-0710BK-AL