

FEATURES - Quebec *LL-1650

- Available in:



ALUMINIUM -AL

- Clear anodized aluminum finish
- The anodized aluminum 6360 T5 is used for better dissipation of heat

- The components are certified
- These products are manufactured in Canada
- In lengths of 8 feet
- Supporting accessories are **Thomas & Betts**

DIFFUSER - Accessories

The **OPALINE** diffuser allows to pass **55%** of luminosity, **FROST 85%** and **CLEAR 98%**

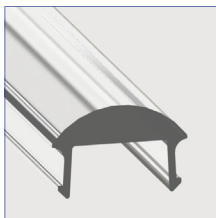
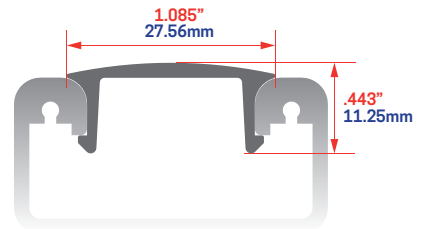


OPALINE
LL-1650-8-OPA

FROST
LL-1650-8-FROST

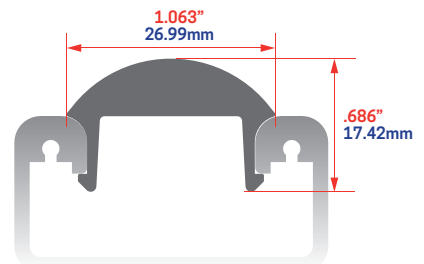
CLEAR
LL-1650-8-CLEAR

Material: ACRYLIC DR



FOCUS
LL-1650-8-FOCUS

Material: ACRYLIC DR



END CAP - Accessories

- Available in:



ALUMINIUM -AL



END CAP

LL-1650ECMP (WITHOUT HOLE)
LL-1650ECFP (WITH HOLE)

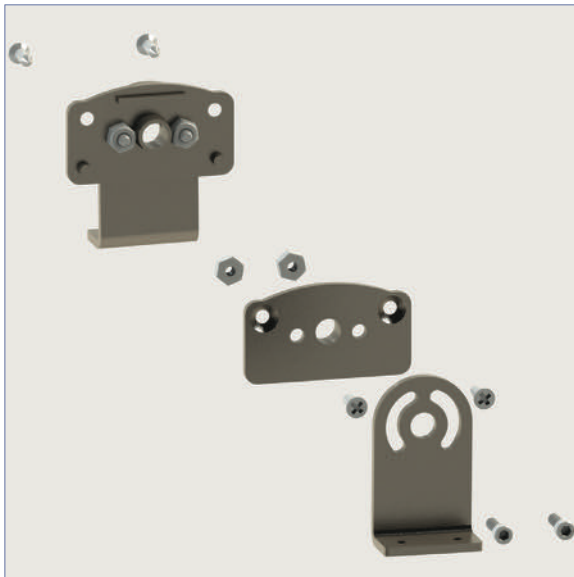
Material: ABS, fixed with screws

MOUNTING BRACKET - Accessories

- Available in:



ZINC -ZC



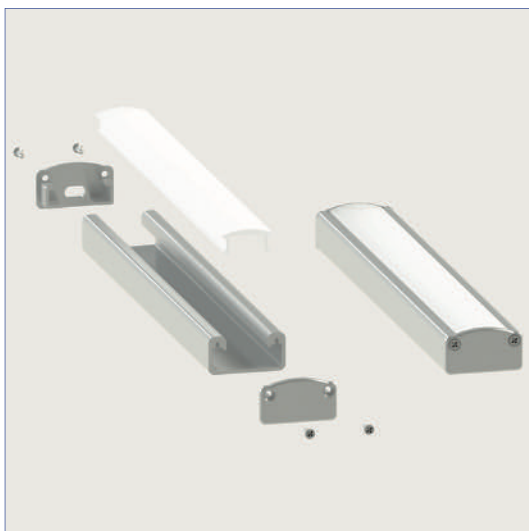
MOUNTING BRACKET SWIVEL

LL-1650SW

Material: ZINC only, fixed with screws

MOUNTING APPLICATION - Quebec *LL-1650

QUEBEC - LL-1650-8



QUEBEC - LL-1650SW - SWIVEL



CODES

QUEBEC

EXTRUSION

ALUMINIUM

- LL-1650-8-AL

DIFFUSER

OPALINE

- LL-1650-8-OPA

FROST

- LL-1650-8-FROST

CLEAR

- LL-1650-8-CLEAR

FOCUS

- LL-1650-8-FC

END CAP (fixed with screws)

STANDARD

- LL-1650ECMP-AL (WITHOUT HOLE)

- LL-1650ECP-AL (WITH HOLE)

MOUNTING BRACKET (Zinc only)

SWIVEL

- LL-1650SW